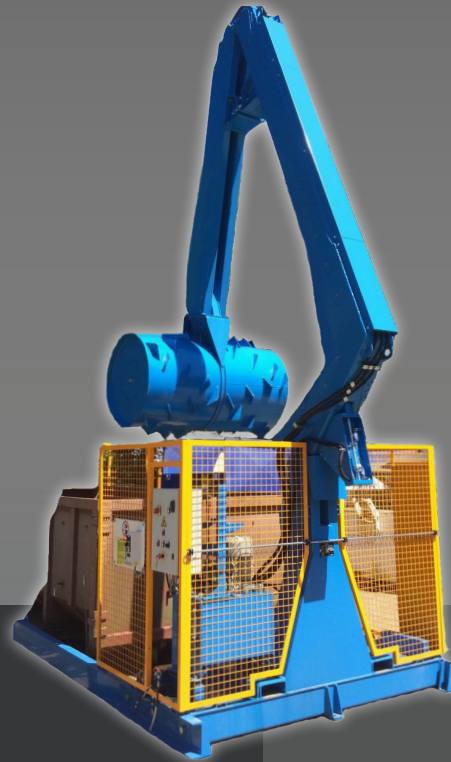


GLADIATOR CRUSHER

COMPACTOR

OUR HEAVY-DUTY APPLICATION for the really tough jobs where other compaction methods fail! "The Gladiator" crushes and compacts waste effectively by a rolling movement in open containers for maximum volume reduction.



Automatic solution



250 KG/MP³
DENSITY (UP TO)
CARDBOARD

Optimal features

WELL PROVEN TECHNOLOGY

reliable compactors: design and production based on long experience

STURDY CONSTRUCTION

designed to handle huge volumes of challenging heavy-duty material

SAFETY SYSTEMS

for maximum protection of the operator and the people in the vicinity

HEAVY STEEL DRUM

with strong and resilient teeth



Benefits for you

- + Reduction of transportation costs
- + Optimal use of storage and transport capacity
- + Increased productivity thanks to the automated process
- + Efficient and convenient waste handling for the staff

GLADIATOR CRUSHER



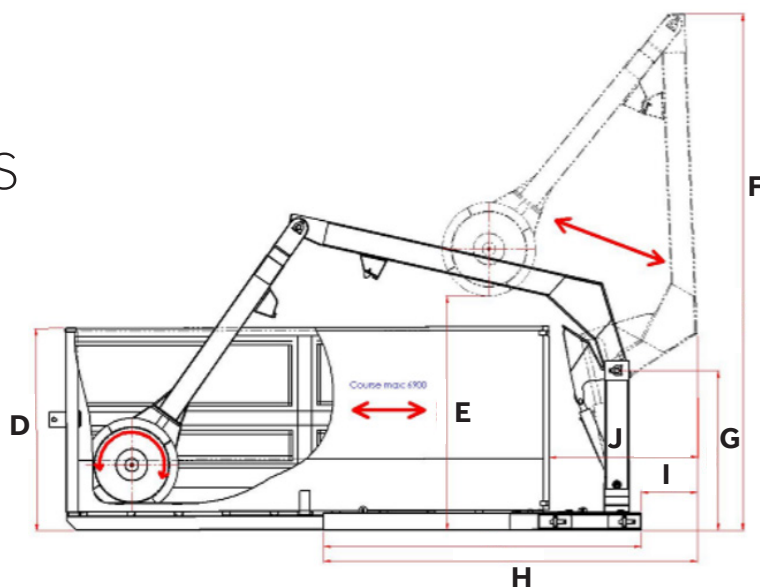
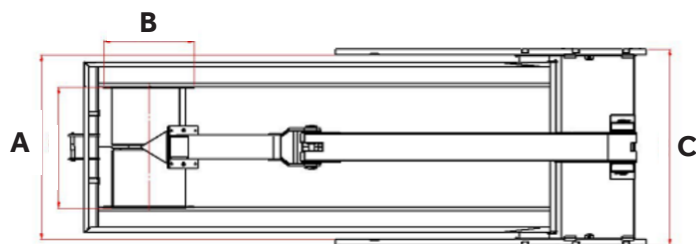
IDEAL FOR BULKY WASTE

The Gladiator effectively crushes wooden pallets, PET, huge volumes of cardboard and is an ideal solution for megastores, supermarkets, commercial centers, manufacturing industries and recycling centers.

OPTIMIZED FOR

- + Wooden pallets up to 9 t
- + Mixed waste up to 8 t
- + Green waste up to 7 t
- + Cardboard up to 6 t

DIMENSIONS & SPECIFICATIONS



DIMENSIONS (mm)

A	2625	F	6500
B	Ø1170	G	2002
C	2705	H	4700
D	1900-2000	I	706
E	2940	J	1870

TECHNICAL DATA

	GLADIATOR
Machine weight (kg)	4200
Roller weight (kg)	1800
Electric power (kW)	7.5

We reserve the right to make changes to specifications without prior notice.

PRESSOR
6 rue du Forez
Z.I. Petite Montagne Sud –
91017 Evry Cedex
FRANCE
Tel : +33-(0)1 69 111 800
commercial@pressor.fr, www.pressor.fr

